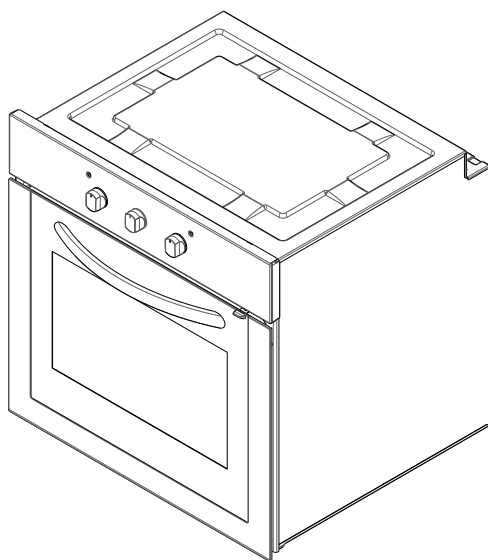


Zigmund & Shtain

EN 106.511 B

**OPERATING AND INSTALLATION
INSTRUCTIONS OF
BUILT-IN OVEN**



Dear Customer,

We take offering quality products more than your expectation as goal, offers you the products produced in modern facilities carefully and particularly tested for quality.

Your manual is prepared in order to help you to use your appliance that is manufactured by the most recent technology, with confidence and maximum efficiency.

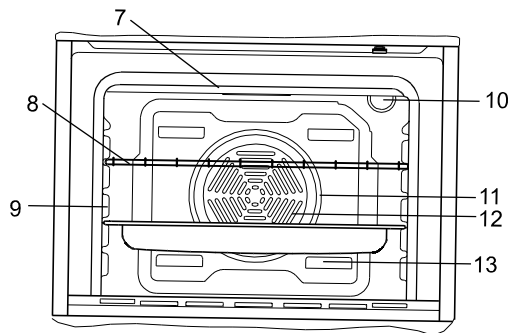
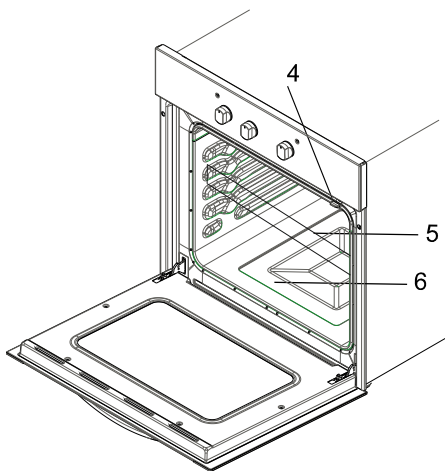
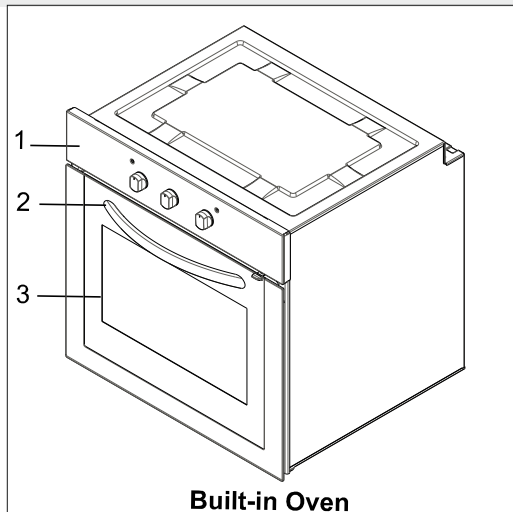
Before use of your appliance, carefully read this guide that includes the basic information for right and safe installation, maintenance and use. Contact to the nearest Authorized Service for mounting of your product.



Contents

- 1-** Presentation and size of product
- 2-** Warnings
- 3-** Preparation for installation and use
- 4-** Using the oven
- 5-** Cleaning and maintenance of your product
- 6-** Service and Transport

PART 1: PRESENTATION AND SIZE OF PRODUCT



LIST OF COMPONENTS :

- | | |
|---|---|
| 1- Control panel | 8- Wire Grill |
| 2- Handle | 9- Racks |
| 3- Oven Door | 10- Oven Light |
| 4- Child Lock | 11- Turbo Heating Element(behind the plate) |
| 5- Tray | 12- Fan (behind the plate) |
| 6- Lower Heating Element (behind the plate) | 13- Air Outlet Shutters |
| 7- Upper Heating Element (behind the plate) | |

PART 2 SAFETY WARNINGS

READ THESE INSTRUCTIONS CAREFULLY AND COMPLETELY BEFORE USING YOUR APPLIANCE, AND KEEP IT IN A CONVENIENT PLACE FOR REFERENCE WHEN NECESSARY.

THIS MANUAL IS PREPARED FOR MORE THAN ONE MODEL IN COMMON. YOUR APPLIANCE MAY NOT HAVE SOME OF THE FEATURES THAT ARE EXPLAINED IN THIS MANUAL. PAY ATTENTION TO THE EXPRESSIONS THAT HAVE FIGURES, WHILE YOU ARE READING THE OPERATING MANUAL.

General Safety Warnings

- This appliance can be used by children aged from 8 years and above and persons with reduced physical, sensory or mental capabilities or lack of experience and knowledge if they have been given supervision or instruction concerning use of the appliance in a safe way and understand the hazards involved. Children shall not play with the appliance. Cleaning and user maintenance shall not be made by children without supervision.
- **WARNING:** The appliance and its accessible parts become hot during use. Care should be taken to avoid touching heating elements. Children less than 8 years of age shall be kept away unless continuously supervised.
- **WARNING:** Danger of fire: do not store items on the cooking surfaces.
- **WARNING:** If the surface is cracked, switch off the appliance to avoid the possibility of electric shock.
- The appliance is not intended to be operated by means of an external timer or separate remote-control system.

- During use, the appliance becomes hot. Care should be taken to avoid touching heating elements inside the oven.
- During use, handles held for short periods in normal use can get hot.
- Do not use harsh abrasive cleaners or sharp metal scrapers to clean the oven door glass and other surface since they can scratch the surface, which may result in shattering of the glass or damage to the surface.
- Do not use steam cleaners for cleaning the appliance.
- **WARNING:** Ensure that the appliance is switched off before replacing the lamp to avoid the possibility of electric shock.
- **CAUTION:** Accessible parts may be hot when the cooking or grilling is in use. Young children should be kept away.
- Your appliance is produced in accordance with all applicable local and international standards and regulations.
- Maintenance and repair work must be made only by authorized service technicians. Installation and repair work that is carried out by unauthorized technicians may endanger you. It is dangerous to alter or modify the specifications of the appliance in any way.
- Prior to installation, ensure that the local distribution conditions (nature of the gas and gas pressure or electricity voltage and frequency) and the requirements of the appliance are compatible. The requirements for this appliance are stated on the label.
- **CAUTION:** This appliance is designed only for cooking food and is intended for indoor domestic household use only and should not be used for any other purpose or in any other application, such as for non-domestic use or in a commercial environment or room heating.
- Do not try to lift or move the appliance by pulling the door handle.
- All possible security measures have been taken to ensure your safety. Since the glass may break, you should be careful while cleaning to avoid scratching. Avoid hitting or knocking on the glass with accessories.

- Ensure that the supply cord is not wedged during the installation. If the supply cord is damaged, it must be replaced by the manufacturer, its service agent or similarly qualified persons in order to prevent a hazard.
- While the oven door is open, do not let children climb on the door or sit on it.

Installation Warnings

- Do not operate the appliance before it is fully installed.
- The appliance must be installed by an authorized technician and put into use. The producer is not responsible for any damage that might be caused by defective placement and installation by unauthorized people.
- When you unpack the appliance, make sure that it is not damaged during transportation. In case of any defect; do not use the appliance and contact a qualified service agent immediately. As the materials used for packaging (nylon, staplers, styrofoam...etc) may cause harmful effects to children, they should be collected and removed immediately.
- Protect your appliance against atmospheric effects. Do not expose it to effects such as sun, rain, snow etc.
- The surrounding materials of the appliance (cabinet) must be able to withstand a temperature of min 100°C.

During usage

- When you first run your oven a certain smell will emanate from the insulation materials and the heater elements. For this reason, before using your oven, run it empty at maximum temperature for 45 minutes. At the same time you need to properly ventilate the environment in which the product is installed.
 - During usage, the outer and inner surfaces of the oven get hot. While opening the oven door, step back to avoid the hot steam coming out of the oven. There may be a risk of burns.
 - Do not put flammable or combustible materials, in or near the appliance when it is operating.
 - Always use oven gloves to remove and replace food in the oven.
 - Do not leave the cooker while cooking with solid or liquid oils. They may catch fire on condition of extreme heating. Never pour water on to flames that are caused by oil. Cover the saucepan or frypan with its cover in order to choke the flame that has occurred in this case and turn the cooker off.
 - If you will not use the appliance for a long time, plug it off. Keep the main control switch off. Also when you do not use the appliance, keep the gas valve off.
 - Make sure the appliance control knobs are always in the "0" (stop) position when it is not used.
 - The trays incline when pulled out. Be careful not to let hot liquid spill over.
 - When the door or drawer of the oven is open, do not leave anything on it. You may unbalance your appliance or break the cover.
 - Do not put heavy things or flammable or ignitable goods (nylon, plastic bag, paper, cloth...etc) into the drawer. This includes cookware with plastic accessories (e.g. handles).
 - Do not hang towels, dishcloths or clothes from the appliance or its handles.
- ### **During cleaning and maintenance**
- Always turn the appliance off before operations such as cleaning or maintenance. You can do it after plugging the appliance off or turning the main switches off.
 - Do not remove the control knobs to clean the control panel.

TO MAINTAIN THE EFFICIENCY AND SAFETY OF YOUR APPLIANCE, WE RECOMMEND YOU ALWAYS USE ORIGINAL SPARE PARTS AND TO CALL ONLY OUR AUTHORIZED SERVICE AGENTS IN CASE OF NEED.

PART 3: PREPARATION FOR INSTALLATION AND USE

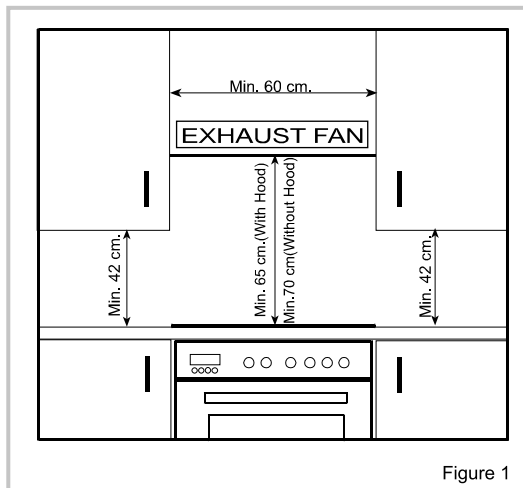
Manufactured with best quality parts and materials, this modern, functional and practical oven will meet your needs in all respects. Make sure to read the manual to obtain successful results and not to experience any problems in the future. The information given below contain rules that are necessary for correct positioning and service operations. They should be read without fail especially by the technician who will position the appliance.

CONTACT THE AUTHORIZED SERVICE FOR INSTALLATION OF YOUR OVEN!

3.1. CHOOSING A PLACE FOR THE OVEN

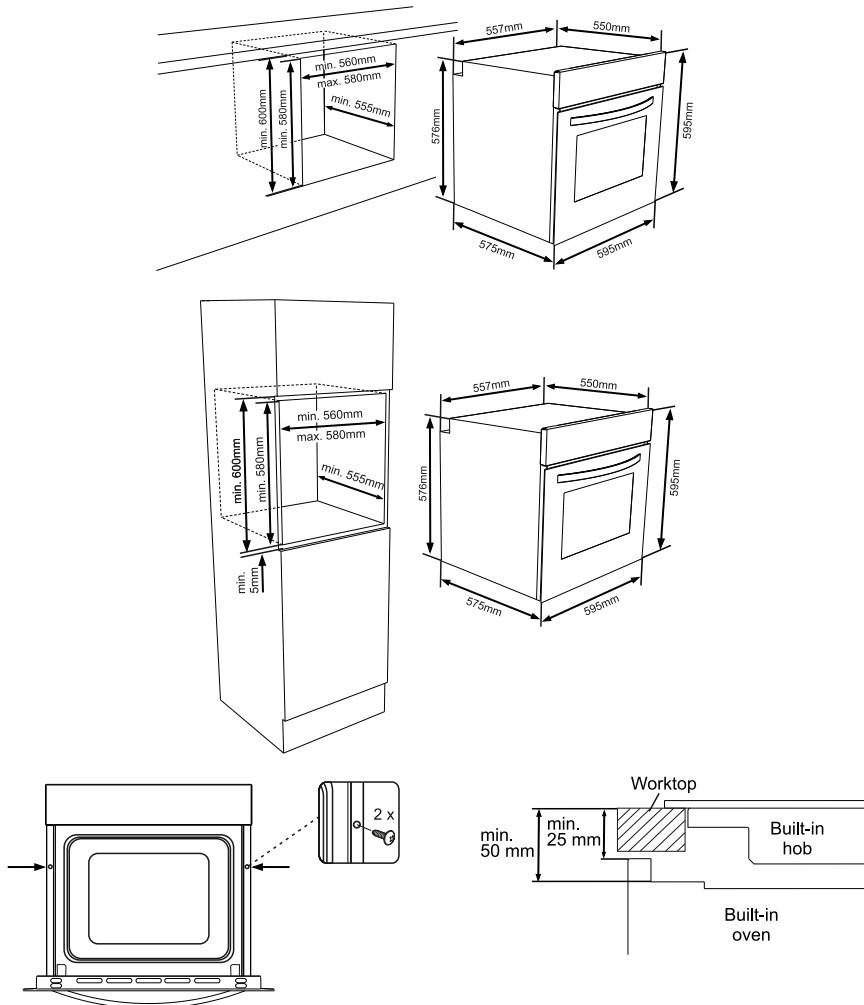
There are several points to pay attention to when choosing a place for your oven. Make sure to take into account our recommendations below in order to prevent any problems and dangerous situations, which might occur later!

- When choosing a place for the oven, attention should be paid that there are no flammable or combustible materials in the close vicinity, such as curtains, oil, cloth etc. which quickly catch fire.
- Furnitures surrounding the oven must be made of materials resistant to heat more than 50 C° of the room temperature.
- Required changes to wall cabinets and exhaust fans above the built-in combined product as well as minimum heights from the oven board are shown in Figure 1. Accordingly, the exhaust fan should be at a minimum height of 65 cm from the hob board. If there is no exhaust fan the height should not be less than 70 cm.



3.2. INSTALLATION OF BUILT-IN OVEN

Cabinet cut-out sizes



Insert the oven into the cabinet by pushing it forward. Open the oven door and insert 2 screws in the holes located on the oven frame. While the product frame touches the wooden surface of cabinet, tighten the screws.

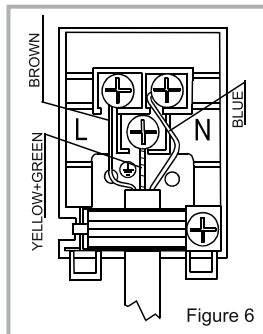
If the oven is installed under a hob, the distance between the worktop and the top panel of the oven must be minimum 50 mm and the distance between the worktop and the top of control panel must be minimum 25 mm.

3.3. WIRING AND SAFETY OF BUILT_IN OVEN

The instructions given below must be followed without fail during wiring :

- The earthing cable must be connected via the screw with the earthing mark. Supply cable connection must be as shown in Figure 6. If there is no earthed outlet conforming to regulations in the installation environment, call the Authorized Service immediately.
- The earthed outlet must be in close vicinity of the appliance. Never use an extension cord.
- The supply cable should not contact the product's hot surface.
- In case of any damage to the supply cable, make sure to call the Authorized Service. The cable must be replaced by the Authorized Service.
- Wiring of the appliance must be performed by the Authorized Service. H05VV-F type supply cable must be used.
- Faulty wiring may damage the appliance. Such a damage will not be covered under the warranty.
- The appliance is designed to connect to 220-240V~ electricity is different than the value given above, call the Authorized Service immediately.

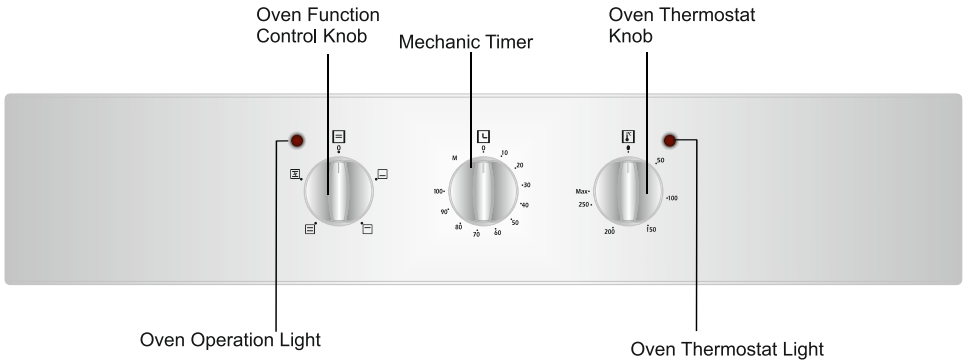
The Manufacturer Firm declares that it bears no responsibility whatsoever for any kind of damage and loss arising from not complying with safety norms!



PART 4: USING THE OVEN

4.1 CONTROL PANELS

Built_in Oven



Oven Function Control Knob:

To select the desired cooking function, turn the knob to the related symbol (Figure 11). The details of the oven functions have been explained in Table 1 and next part.

Oven Thermostat Knob:

After cooking function set, desired temperature can be adjusted by oven thermostat knob (figure 12) and oven start to operate (timer must be adjusted, if available). Thermostat signal light will be on or off according to thermostat operation.

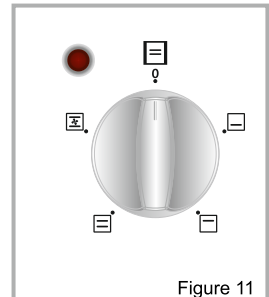


Figure 11

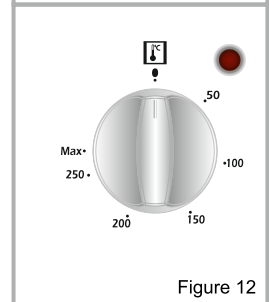


Figure 12

4. USE OF YOUR PRODUCT

4.2. USING THE OVEN FUNCTION CONTROL BUTTON

* The functions of your oven may be different due to the model of your product.



Static Cooking Function

The oven's thermostat and warning lights will be turned on, the lower and upper heating elements will start operating.

The static cooking function emits heat, ensuring even cooking of the lower and upper food. This is ideal for making pastries, cakes, baked pasta, lasagne and pizza. Preheating the oven for 10 minutes is recommended and it is best to cook on only one shelf at a time in this function.



Lower Heating Function

The oven's thermostat and warning lights will be turned on, the lower heating element will start operating.

The lower heating function is ideal for baking pizza, as the heat rises from the bottom of the oven and warms the food up. This function is appropriate for heating the food instead of cooking.



Upper Heating Function

The oven's thermostat and warning lights will be turned on, the upper heating element will start operating.

In this type of cooking, the heat emanating from upper heating element cooks upper side of the food. The upper heating function is ideal for frying the upper side of already cooked food and heating the food.



Fan Function

The oven's thermostat and warning lights will be turned on, the upper and lower heating elements and fan will start operating.

This function is very good for obtaining results in baking pastry. Cooking is carried out by the lower and upper heating element within the oven and by the fan providing air circulation, which will give a slight grill effect to the food. It is recommended to pre-heat the oven about 10 minutes.

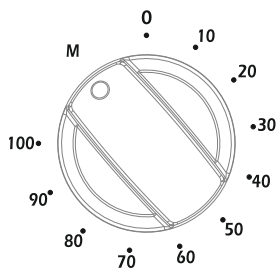
ENERGY SAVING

- During use of electrical cookers , it is required to use saucepans having flat bases.
- Choose a cookware of proper size.
- Using a lid will reduce cooking times.
- Minimize the amount of liquid or fat to reduce cooking times.
- When liquid starts boiling ,reduce the temperature setting.
- Oven door should not be opened often during cooking period.

4. USE OF YOUR PRODUCT

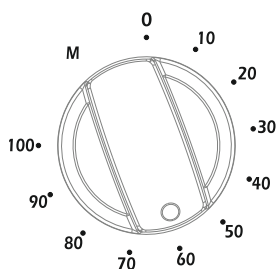
4.3. USING TIMERS

Use of mechanical timer



Manual Operation:

When you set the timer button to the position indicating M as shown on the picture, you can continuously run your oven. When the timer button is in 0 position the oven will not operate.



Operating by adjusting the time:

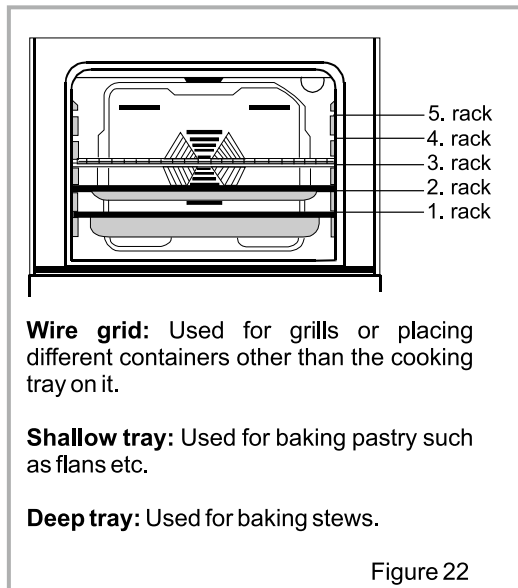
Set the desired cooking time by turning timer button to a certain time range between 0 - 100 minutes. At the end of this time period, the oven will stop working and the timer will give an audible warning once.

DISHES	LOWER-UPPER			LOWER-UPPER FAN			GRILL		
	Thermostat pos.(°C)	Rack pos.	Cooking period(min)	Thermostat pos.(°C)	Rack pos.	Cooking period(min)	Thermostat pos.(°C)	Rack pos.	Cooking period(min)
Layered pastry	170 - 190	1-2	35 - 45	170 - 190	1-2	25 - 35			
Cake	170 - 190	1-2	30 - 40	150 - 170	1-2-3	25 - 35			
Cookie	170 - 190	1-2	30 - 40	150 - 170	1-2-3	25 - 35			
Grilled meatballs							200	4	10 - 15
Watery food	175 - 200	2	40 - 50	175 - 200	2	40 - 50			
Chicken	200	1-2	45 - 60	200	1-2	45 - 60	200	*	50 - 60
Chop							200	3-4	15 - 25
Beefstake							200	4	15 - 25
Two-tray cake									
Two-tray pastry									

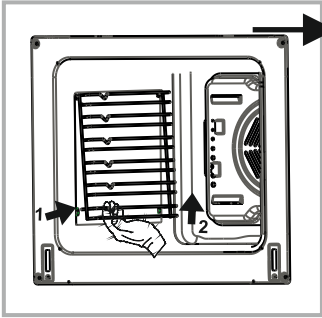
4.8. ACCESSORIES USED IN THE OVEN

It is recommended that you use the containers indicated on the table depending on the food you will cook in your oven, you can also use glass containers, cake cutters, special oven trays suitable for use in your oven, available in the market. Pay attention to the information given by the manufacturer firm concerning this issue. If small sized containers are used, place this container on the inner grill wire so it will be precisely on the middle of the wire. The information given below should be implemented for enamelled containers.

If the food to be cooked does not completely cover the oven tray, if the food is taken out of the deep-freezer or if the tray is used to collect the dripping juices of the foods during the grill operation; deformation might be observed on the tray due to high temperatures forming during the cooking/frying operation. This is normal, physical state that results during the heat transfer. Do not leave a glass tray or container in a cold environment immediately after cooking in them. Do not place them on cold and wet surfaces. Ensure that they slowly cool off placing them on a dry piece of cloth. Otherwise, the glass tray or container might break. If you are going to perform a grill operation in your oven, we recommend that you use the grill on tray, supplied together with your product (if your product includes this equipment). This way, splattering and dripping oils will not make the oven interior dirty. If you are going to use the large wire grill, insert a tray into one of the lower racks to avoid accumulation of the oils. To make cleaning easier, add some water into it as well. In a grilling operation, use the 3. Or the 4. rack and tilt the grill to prevent the food to be grilled from sticking to the grill.

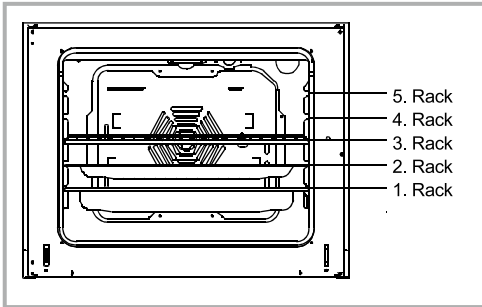


Removal of wire shelf

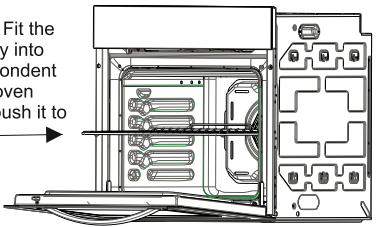


Pull the wire shelf as shown in the picture. After releasing it from clips, lift it up.

Installation of the Shelves



WARNING- Fit the grid correctly into any correspondent rack in the oven cavity and push it to the end.



PART 5: CLEANING AND MAINTENANCE OF YOUR OVEN

5.1. CLEANING

Before starting to clean your oven, be sure that **all** control buttons are off and your appliance is cooled off. Unplug the appliance.

Do not use cleaning materials containing particles that might scratch the enamelled and painted parts of your oven. Use cream cleaners or liquid cleaners, which do not contain particles. As they might harm the surfaces, do not use caustic creams, abrasive cleaning powders, rough wire wool or hard tools. In the event the excess liquids spilling over your oven should burn, it may cause a damage to the enamel. Immediately clean up the split liquids. Do not use steam cleaners for cleaning the oven.

Cleaning the interior of the oven

Make sure to unplug the oven before starting to clean it. You will obtain best results if you clean the oven interior while the oven is slightly warm. Wipe your oven with a soft piece of cloth dampened with soap water after each use. Then wipe it again, this time with a wetted cloth, and wipe it dry. A complete cleaning using dry and powder type cleaners. For product with catalytic enamel frames, the rear and side walls of the inner frame do not require cleaning. However; depending on usage, it is recommended that you replace them after a certain period of time.

Clearing of the hob part of the Built-in Oven

For built-in combined products, hobs should be cleaned wiping with a dampened cloth. Cleaning of the stainless steel parts should be done only with water and such parts should be wiped dry with a soft cloth or chamois. Gaps and corners should be cleaned using liquid detergents or lukewarm vinegar. When cleaning the lids of the models with upper glass lids, use hot water and rough cloth. Try to clean up without rubbing / scrubbing. You can use liquid detergents if necessary. Another point to pay attention to that the glass lid should not be closed until the job board is completely cooled off.

Cleaning the vitroceramic glass burner

- Unplug the appliance before starting the cleaning.
- Wait for the vitroceramic glass to completely cool off before starting the cleaning.
- Make sure that the cleaning materials you will use do not contain particles that might scratch the glass. Use cream detergents or liquid detergents.
- The vitroceramic surface should be wiped with cold water and wiped dry with a soft piece of cloth until no cleaning material is left on the surface.
- You can use the cleaning spatula supplied together with your product, for the cleaning of split foods and residues.
- Dessert type of foods should be cleaned immediately after day spill without waiting for the vitroceramic glass to cool off.

- Scrubbing with steel cleaning wires may harm the vitroc ceramic glass surface. Formation of dust on the surface should be cleaned up using a dampened cloth.
- Changes in colour which might occur on the ceramic glass surface do not affect the functional structure or permanence of the vitroc ceramic. The reason for the changes in colour is not the change in the material; it may be because the burnt residues on the surface are not cleaned up or the pots used have worn the glass surface or because unsuitable cleaning materials were used.
- The cleaning spatula should always be used prior to chemical cleaning substances. With this spatula, you can clean up the tiniest of dirt s on the vitroc ceramic surface. Dirt s that are difficult to remove, such as melted plastic, heavy oils, sweet substances, can be removed easily with the spatula. As the spatula includes a razor, it is dangerous and must be kept out of reach of children.
- During cleaning with spatula, pay attention not to scrape off the silicon adhesives found on the sides of the glass.

5.2. MAINTENANCE

Replacing the Oven Light

The change of oven lamp must be done by authorized technician. The rating of the bulb should be 230V, 25Watt, Type E14, T300 before changing the lamp, the oven should be plugged off and it should be cool.

The lamp design is specific for the use in household cooking appliances and it is not suitable for household room illumination.

PART 6: SERVICE AND TRANSPORT

6.1. REQUIREMENTS BEFORE CONTAINING TO SERVICE

If the oven does not operate :

The oven may be plugged off, there has been a black out. On models fitted with a timer, time may not be regulated.

If the oven does not heat :

The heat may be not adjusted with oven's heater control switch.

If the interior lighting lamp does not light :

The electricity must be controlled. It must be controlled whether the lamps are defective. If they are defective, you can change them as following the guide.

Cooking (if lower-upper part does not cook equally) :

Control the shelf locations, cooking period and heat values according to the manual.

Except these, if you still have any problem with your product, please call to the "Authorized Service".

6.2. INFORMATION RELATED TO TRANSPORT

If you need any transport :

Keep the original case of product and carry it with its original case when need to be carried. Follow the transport signs on case. Tape the cooker on upper parts, hats and heads and saucepan carriers to the cooking panels.

Place a paper between the upper cover and cooking panel, cover the upper cover, than tape to the side surfaces of oven.

Tape carboard or paper onto the front cover on interior glass of oven as it will be suitable to the trays, for the wire grill and trays in your oven not damage to the oven's cover during transport. Also tape the oven's covers to the side walls.

If does not have the original case :

Take measure for external surfaces (glass and painted surfaces) of oven against possible blows.



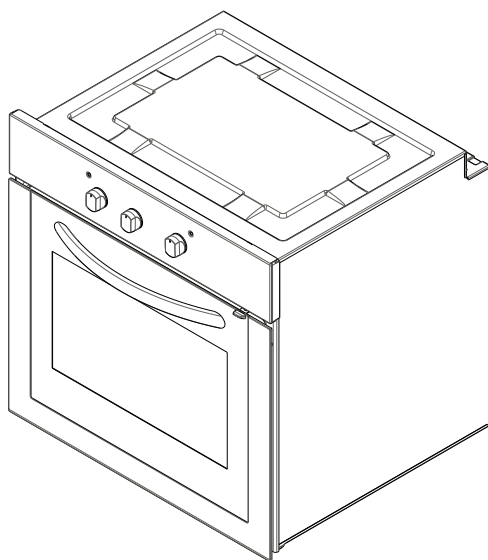
The symbol on the product or on its packaging indicates that this product may not be treated as household waste. Instead it shall be handed over to the applicable collection point for the recycling of electrical and electronic equipment. By ensuring this product is disposed of correctly, you will help prevent potential negative consequences for the environment and human health, which could otherwise be caused by inappropriate waste handling of this product. For more detailed information about recycling of this product, please contact your local city office, your household waste disposal service or the shop where you purchased the product.

Zigmund & Shtain

EN 106.511 B

RU

ИНСТРУКЦИИ ПО ЭКСПЛУАТАЦИИ И
УСТАНОВКЕ ВСТРАИВАЕМОЙ ДУХОВКИ



Уважаемый покупатель,

Нашей целью является предложение товаров, которые по качественным критериям превосходили бы Ваши ожидания. Наши изделия производятся на современном оборудовании и проходят тщательный контроль качества.

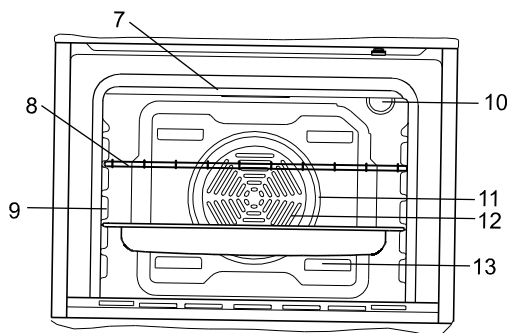
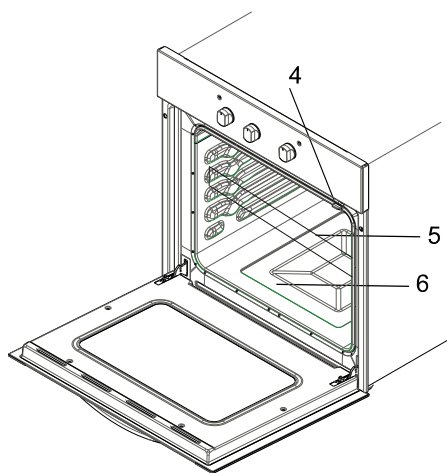
Данная инструкция по эксплуатации подготовлена для того, чтобы помочь Вам в эксплуатации изделия, произведенного по современной технологии с максимальной эффективностью.

Перед началом эксплуатации устройства следует тщательно изучить данное руководство, которое включает основную информацию по правильной и безопасной установке, техобслуживанию и эксплуатации. Для установки изделия следует обратиться в ближайший авторизованный центр сервисной поддержки

Содержание

- 1- Общая информация и размер изделия
- 2 Предостережения
- 3 Подготовка к установке и эксплуатация
- 4- Эксплуатация духовки
- 5 - Очистка и техническое обслуживание изделия
- 6 Сервисное обслуживание и транспортировка

ЧАСТЬ 1: ОБЩАЯ ИНФОРМАЦИЯ И ГАБАРИТЫ АППАРАТА



ПЕРЕЧЕНЬ УЗЛОВ:

- 1- Панель управления
- 2 - Ручка
- 3- Дверца духовки
- 4- Замок от детей
- 5- Лоток
- 6- Нижний нагревательный элемент (за пластиной)
- 7- Верхний нагревательный элемент (за пластиной)

- 8- Проволочная решетка
- 9- Направляющие для лотков
- 10- Лампа подсветки духовки
- 11- Турбонагревательный элемент за пластиной)
- 12- Вентилятор (за пластиной)
- 13- Выпускные воздушные заслонки

2. ПРЕДУПРЕЖДЕНИЯ ОТНОСИТЕЛЬНО БЕЗОПАСНОГО ПОЛЬЗОВАНИЯ

ВНИМАТЕЛЬНО И ПОЛНОСТЬЮ ПРОЧИТИТЕ ДАННЫЕ ИНСТРУКЦИИ ПЕРЕД ЭКСПЛУАТАЦИЕЙ УСТРОЙСТВА И ХРАНИТЕ ИХ В ЛЕГКОДОСТУПНОМ МЕСТЕ ДЛЯ ПОЛУЧЕНИЯ СООТВЕТСТВУЮЩЕЙ ИНФОРМАЦИИ В СЛУЧАЕ НЕОБХОДИМОСТИ.

ДАННОЕ РУКОВОДСТВО ПО ЭКСПЛУАТАЦИИ БЫЛО ПОДГОТОВЛЕНО КАК ПЕРЕЧЕНЬ ОБЩИХ ИНСТРУКЦИЙ ДЛЯ РАЗЛИЧНЫХ МОДЕЛЕЙ ПЕЧИ. В ВАШЕМ УСТРОЙСТВЕ МОГУТ ОТСУТСТВОВАТЬ НЕКОТОРЫЕ ФУНКЦИИ, ОПИСАННЫЕ В ДАННОМ РУКОВОДСТВЕ. ПРИ ПРОЧТЕНИИ ДАННОГО РУКОВОДСТВА ПО ЭКСПЛУАТАЦИИ, ОБРАТИТЕ ВНИМАНИЕ НА ПОЯСНЕНИЯ С ИЛЛЮСТРАЦИЯМИ.

Общие предупреждения относительно безопасного пользования

- Данное устройство может использоваться детьми в возрасте от 8 лет и людьми с нарушенными физическими, сенсорными или умственными способностями либо с отсутствием опыта и знаний в том случае, если ими будет руководить человек, ответственный за их безопасность, и до их сведения будет доведено о существующих видах опасностей при эксплуатации устройства. Дети не должны играть с устройством. Чистка и обслуживание не должны производиться детьми без надзора.
- ПРЕДУПРЕЖДЕНИЕ: Во время эксплуатации устройство и его вспомогательные детали нагреваются и становятся горячими. Необходимо соблюдать осторожность при касании горячих элементов. Дети в возрасте до 8 лет должны находиться на расстоянии, если за ними не ведется постоянный присмотр.
- ПРЕДУПРЕЖДЕНИЕ: Пожароопасность: не

храните предметы на варочных поверхностях.

- ПРЕДУПРЕЖДЕНИЕ: В случае растрескивания поверхности необходимо отключить устройство во избежание поражения электрическим током.

- Эксплуатация устройства с использованием внешнего таймера или пульта дистанционного управления не предусмотрена.

- Во время работы плита нагревается. Необходимо соблюдать осторожность при касании горячих элементов внутри плиты.

- Во время эксплуатации в течение коротких периодов времени ручки могут стать горячими.

- Не используйте агрессивные абразивные чистящие средства или острые металлические скребки для чистки стеклянных дверец плиты и других поверхностей, так как они могут привести к появлению царапин на поверхности, в итоге может иметь место раскол стекла или повреждение поверхности.

- Не используйте пароочистителей для чистки устройства.

- ПРЕДУПРЕЖДЕНИЕ: Во избежание

поражения электрическим током перед заменой лампы необходимо убедиться, что устройство отключено.

- ВНИМАНИЕ: Открытые части плиты могут быть горячими при приготовлении пищи или жарке на гриле. Не допускайте маленьких детей к плите.

- Ваше устройство изготовлено в соответствии со всеми применимыми местными и международными стандартами и положениями.
- Обслуживание и ремонт должны производиться только техническими специалистами авторизованного сервисного центра. Установка и ремонт, производимые неавторизованными техническими специалистами, могут представлять опасность. Любая замена или изменение спецификаций установки представляет опасность.
- Перед началом установки убедитесь в том, что местные распределительные системы (характер и давление газа либо электрическое напряжение и частота) совместимы с настройками плиты. Информация, необходимая для подключения данного устройства, указана на табличке с информацией.
- **ВНИМАНИЕ:** Плита предназначена только для запекания блюд и эксплуатации в помещении в домашних условиях, и ее использование для любых других целей (не в домашних условиях, в коммерческих целях либо для обогрева помещения) не допускается.
- Не пытайтесь поднимать или перемещать устройство за ручку дверцы.
- Для обеспечения Вашей безопасности были предприняты все возможные меры безопасности. Так как стекло может треснуть, при чистке следует соблюдать осторожность во избежание появления царапин. Следует исключить нажатия на стекло или его ударения дополнительными приспособлениями.
- Убедитесь, что во время установки не зажат шнур питания. В случае повреждения шнура питания во избежание опасности необходимо обратиться к производителю, сервисному агенту или иным квалифицированным лицам для его замены.
- При открытии дверцы плиты не позволяйте детям залазить на дверцу и сидеть на ней.

Предупреждения относительно установки

- Не эксплуатируйте плита до того момента, пока установка не будет полностью завершена.
- Устройство должно быть установлено и передано в эксплуатацию авторизованным техническим специалистом. Производитель не несет ответственности за какие-либо повреждения, вызванные неправильным размещением и установкой, производимыми людьми без соответствующих полномочий
- При распаковке устройства следует убедиться, что оно не повреждено во время транспортировки. В случае обнаружения каких-либо дефектов не эксплуатируйте устройство и незамедлительно обратитесь в авторизованную сервисную службу. Так как упаковочные материалы (нейлон, перфоратор, пенопласт и т.д.) могут представлять опасность для детей, такие материалы должны быть немедленно убраны вне пределов досягаемости детей.
- Обеспечьте защиту Вашего устройства от атмосферных явлений. Не подвергайте его воздействию солнечных лучей, исключите попадание под дождь, снег и т.д.
- Материалы, находящиеся вблизи устройства (шкаф), должны выдерживать температуру не менее 100°C.

Во время использования

- При первом включении плиты изоляционные материалы и нагревательные элементы будут выделять специфический запах. Для устранения этого, перед началом эксплуатации плиты включите ее на максимальную температуру на 45 минут. В это время необходимо хорошо проветривать помещение, в котором установлена плита.
- Во время эксплуатации внешние и внутренние поверхности плиты нагреваются. При открывании дверцы следует находиться на достаточном расстоянии во избежание воздействия горячего пара, выходящего из плиты. Возможен риск получения ожогов.
- Не помещайте легковоспламеняющиеся или огнеопасные материалы внутри или вблизи плиты во время ее использования.
- При извлечении и помещении обратно блюд всегда используйте специальные перчатки.
- Не отходите от плиты при приготовлении пищи на твердом жире или на масле. При сильном нагревании они могут воспламениться. Никогда не лейте воду на пламя, возникшее в результате возгорания масла. Накройте кастрюлю или сковороду крышкой, чтобы закрыть возникший в данном случае огонь, и выключите плиту.
- Если предполагается, что устройство не будет эксплуатироваться в течение длительного времени, отключите его. Выключите основную ручку управления плитой. Также в случае, если устройство не будет эксплуатироваться, газовые клапаны должны оставаться закрытыми.
- Следует убедиться, что если устройство не используется, ручки управления всегда находятся в положении «0» («стоп»).
- При извлечении подносов они наклоняются. Соблюдайте осторожность, чтобы не пролить горячую жидкость.
- Когда дверца или выдвижной ящик плиты остаются открытыми, не оставляйте на них что-либо в открытом виде. Вы можете нарушить равновесие устройства или сломать крышку.
- Не кладите на выдвижной ящик каких-либо тяжелых, горючих или легковоспламеняющихся предметов (нейлон, пластиковые пакеты, бумагу, ткань и т.д.). К ним относится кухонная посуда с пластиковыми деталями (например, ручками).
- Не вешайте полотенца, посудные полотенца или тряпки на устройство или его ручки.

Во время чистки и обслуживания

- Всегда отключайте устройство перед чисткой или обслуживанием. Это можно делать после отключения устройства от сети и установки главных переключателей в положение «Выкл.».
- Не снимайте ручки управления для чистки панели управления.

В ЦЕЛЯХ ЭФФЕКТИВНОСТИ И БЕЗОПАСНОСТИ ЭКСПЛУАТАЦИИ ПЕЧИ МЫ РЕКОМЕНДУЕМ ВАМ ВСЕГДА ИСПОЛЬЗОВАТЬ ОРИГИНАЛЬНЫЕ ЗАПАСНЫЕ ЧАСТИ. В СЛУЧАЕ НЕОБХОДИМОСТИ В ОКАЗАНИИ ПОМОЩИ, ОБРАЩАЙТЕСЬ ТОЛЬКО К СПЕЦИАЛИСТАМ НАШЕГО АВТОРИЗОВАННОГО СЕРВИСНОГО ЦЕНТРА.

ЧАСТЬ 3: УСТАНОВКА И ПОДГОТОВКА К ЭКСПЛУАТАЦИИ

Произведенная с использованием деталей и материалов высокого качества, данная современная, функциональная и практичная печь удовлетворит все Ваши потребности. Прочтите данное руководство по эксплуатации для получения хороших результатов работы и избежания проблем при эксплуатации плиты в будущем. Приведенная ниже информация содержит правила, которые необходимо соблюдать для правильной установки плиты и проведения ее технического обслуживания. Их необходимо внимательно прочитать, особенно техническому специалисту, который будет производить установку плиты..

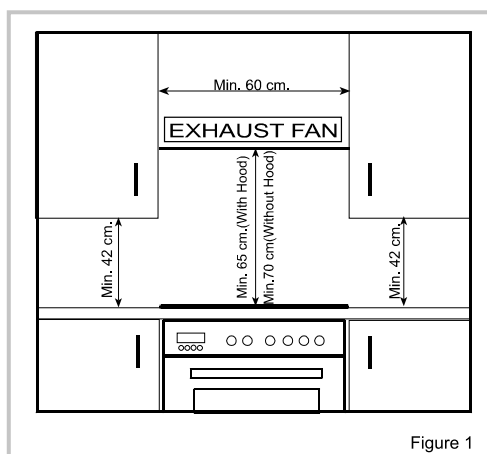
ПО ВОПРОСАМ УСТАНОВКИ ПЛИТЫ СВЯЖИТЕСЬ С АВТОРИЗОВАННЫМ СЕРВИСНЫМ ЦЕНТРОМ!

3.1. ВЫБОР МЕСТА УСТАНОВКИ ПЛИТЫ

- При выборе места установки Вашей плиты есть несколько моментов, которые необходимо принять во внимание. Для предотвращения возникновения каких-либо проблем и опасных ситуаций, которые могут возникнуть позже, примите во внимание приведенные ниже рекомендации!
- При выборе места установки плиты необходимо обратить внимание, чтобы в непосредственной близости от плиты не было горючих и легковоспламеняющихся материалов, например, занавесок, клеенки, и т.д., которые могут быстро загореться.

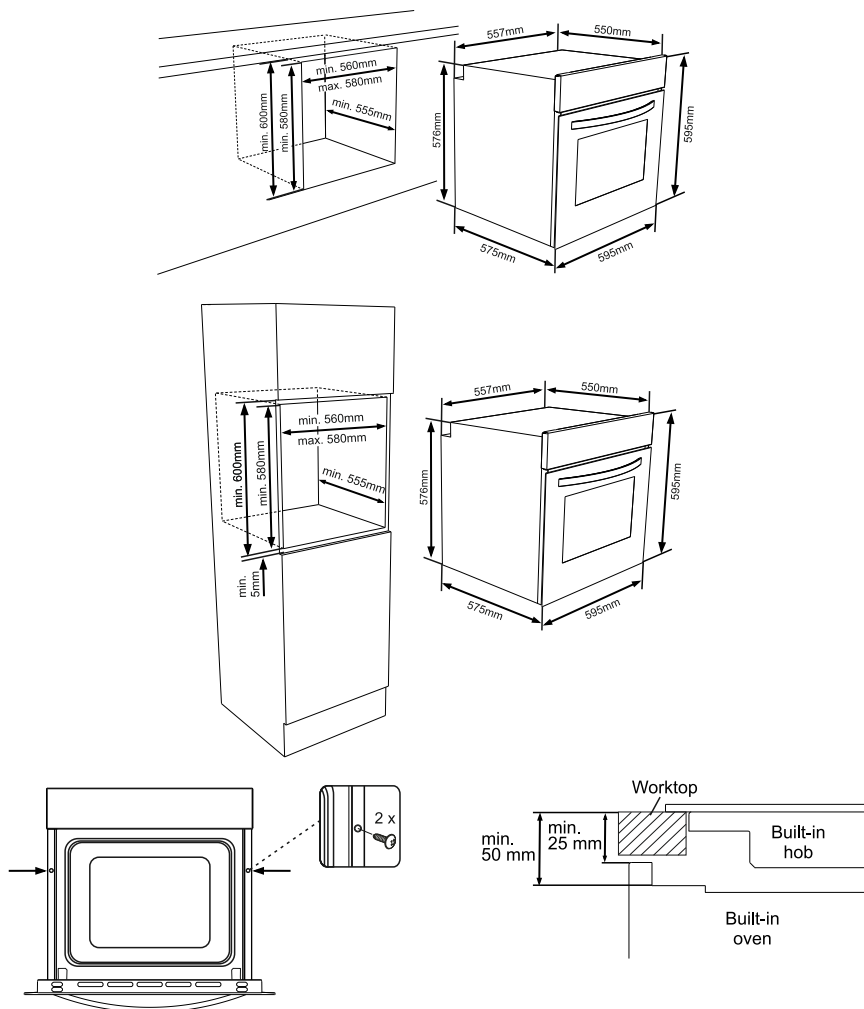
Мебель, которая находится рядом с плитой, должна быть сделана из материалов, выдерживающих комнатную температуру выше 50 C°.

Требуемые изменения стеновых шкафов и вытяжных вентиляторов над встроенным комбинированным изделием, а также значения минимальной высоты от панели плиты показаны на рисунке 1. Соответствующим образом, вытяжной вентилятор должен находиться на высоте минимум 65 см от панели с комфорками. Если вытяжного вентилятора нет, то высота должна составлять не менее 70 см.



3.2. МОНТАЖ ВСТРОЕННОЙ ДУХОВКИ

Размеры проема шкафа



Вставьте духовку в шкаф, продвигая ее от себя. Откройте дверь духовки и вставьте два винта в отверстия, расположенные на раме духовки. Убедившись, что рама продукта соприкасается с деревянной поверхностью шкафа, затяните винты.

Если духовой шкаф устанавливается под варочной панелью, расстояние между рабочей поверхностью и верхней панелью духового шкафа должно быть не менее 50 мм, при этом расстояние между рабочей поверхностью и верхним краем панели управления должно быть не менее 25 мм.

Размеры и материал шкафа, в который будет вставлена печь, должны быть правильными и учитывать возможность повышения температуры. При правильной установке не должно быть контакта с электрическими и изолированными узлами. Изолированные части должны быть установлены таким образом, чтобы их нельзя было снять при помощи любого инструмента. Установка плиты в непосредственной близости от холодильника или морозильной камеры не рекомендуется. В противном случае, выделяемое плитой тепло будет оказывать негативное влияние на показатели работы вышеуказанных устройств. После снятия упаковки плиты убедитесь, что плита не повреждена. Если, по Вашему мнению, плита повреждена, не эксплуатируйте ее, а немедленно свяжитесь с авторизованным сервисным центром.

3.3. ПРОВОДКА И БЕЗОПАСНОСТЬ ВСТРАИВАЕМОЙ ДУХОВКИ

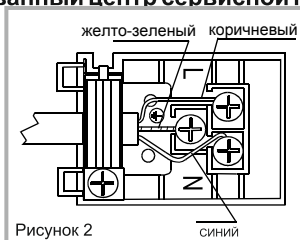
При подключении к электрической сети необходимо выполнять указанные ниже инструкции:

- Заземляющий кабель должен быть подключен к болту со значком заземления. Кабель электропитания должен быть подключен, как показано на рисунке 2. Если в месте установки отсутствует вывод заземления, соответствующий установленным нормам, немедленно обратитесь в авторизованный сервисный центр.
- Вывод заземления должен находиться в непосредственной близости от плиты. Никогда не используйте удлинительный кабель.
- Кабель подачи электропитания не должен контактировать с горячей поверхностью печи.
- В случае повреждения кабеля подачи электропитания обратитесь в авторизованный сервисный центр. Замена кабеля подачи электропитания должна проводиться специалистами авторизованного сервисного центра.

- Электропроводка плиты должна проводиться сотрудниками авторизованного сервисного центра. Необходимо использовать кабель электропитания типа H05VV-F.

Неисправная электропроводка может привести к повреждению плиты. Такое повреждение не включается в условия гарантийного ремонта.

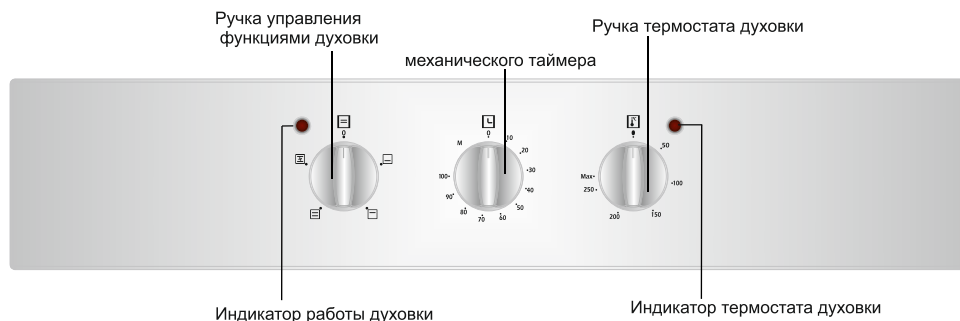
Устройство разработано для подсоединения к источнику питания с напряжением ~220-240 В. Если напряжение имеющегося источника питания отличается от вышеприведенных параметров, необходимо незамедлительно обратиться в авторизованный центр сервисной поддержки.



ЧАСТЬ 4: ЭКСПЛУАТАЦИЯ ДУХОВКИ

4.1 ПАНЕЛИ УПРАВЛЕНИЯ

Ручка управления функциями духовки



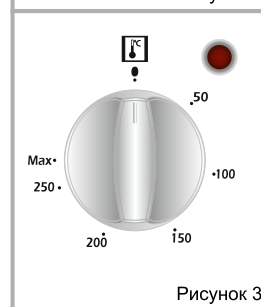
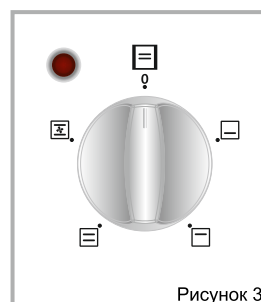
Ручка управления функциями духовки:

Для выбора требуемой функции приготовления пищи необходимо повернуть ручку к соответствующему символу (рисунок 3). Подробная информация относительно функций духовки представлена в таблице 1 следующей части.

Ручка термостата духовки:

После установки функции приготовления пищи требуемая температура может регулироваться ручкой термостата духовки (рисунок 4), и духовка начинает работать (необходимо установить таймер при его наличии).





Индикатор термостата включается или выключается в соответствии с работой термостата.



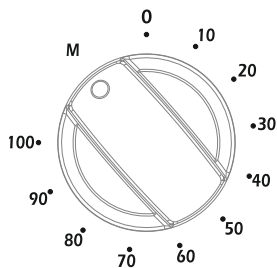
4.2. ИСПОЛЬЗОВАНИЕ РУЧКИ УПРАВЛЕНИЯ ФУНКЦИЯМИ ДУХОВКИ:

Функции духовки:

☑ Функции духовки могут отличаться в зависимости от модели изделия.

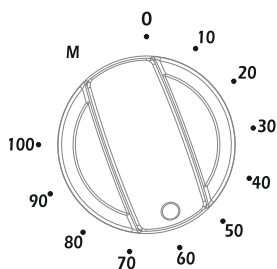
	Функция статического приготовления пищи
<p>Включается подсветка духовки, начинает работать нижний и верхний нагревательный элемент.</p> <p>При использовании функции статического приготовления пищи выделяется тепло, за счет чего обеспечивается равномерное приготовление нижнего и верхнего слоя блюда. Это идеально подходит для приготовления выпечки, пирожных, запеченных блюд из макарон, широкой лапши и пиццы. Рекомендуется предварительный нагрев плиты в течение 10 минут.</p>	
	Включение нижнего нагревательного элемента
<p>Включается подсветка духовки, начинает работать нижний нагревательный элемент. Функция нижнего нагревательного элемента является идеальной для приготовления пиццы, так как температура поднимается от нижней части духовки и прогревает блюдо. Эта функция является подходящей для подогрева еды, а не приготовления.</p>	
	Включение верхнего нагревательного элемента
<p>Включается подсветка духовки, начинает работать верхний нагревательный элемент. При этом виде приготовления еды тепло, выделяемое от верхнего нагревательного элемента, способствует приготовлению верхнего слоя блюда. Использование верхнего подогревательного элемента является идеальным для поджарки верхнего слоя уже приготовленного блюда и подогрева еды.</p>	
	Функция вентилятора
<p>Включается подсветка духовки, начинает работать нижний и верхний нагревательный элемент и вентилятор.</p> <p>Эта функция является очень хорошей для получения результатов приготовления выпечки. Приготовление еды осуществляется с использованием нижнего и верхнего нагревательного элемента духовки и вентилятора, обеспечивающего циркуляцию воздуха, который придает блюдам легкий эффект гриля. Рекомендуется осуществлять предварительный подогрев духовки в течение приблизительно 10 минут.</p>	

4.3. Использование механического таймера.



Ручная настройка.

Если ручка таймера переведена в положение М, как показано на рисунке, то Вы можете неограниченно долго использовать духовой шкаф. Если таймер в положении 0, то духовка не включится.



Настройка времени.

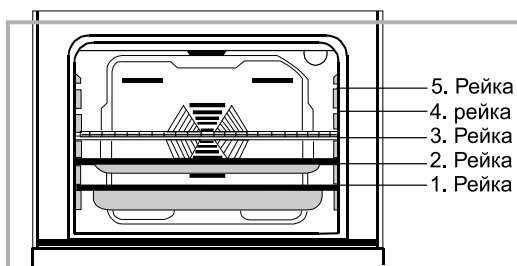
Поворачивайте ручку по часовой стрелке и выставьте значение в диапазоне от 0 до 100 минут (как показано на картинке). По истечении установленного времени духовка прекратит работу, и таймер подаст однократный звуковой сигнал.

DISHES	LOWER-UPPER			LOWER-UPPER FAN		
	<i>Thermostat pos.(°C)</i>	<i>Rack pos.</i>	<i>Cooking period(min)</i>	<i>Thermostat pos.(°C)</i>	<i>Rack pos.</i>	<i>Cooking period(min)</i>
Layered pastry	170 - 190	1-2	35 - 45	170 - 190	1-2	25 - 35
Cake	170 - 190	1-2	30 - 40	150 - 170	1-2-3	25 - 35
Cookie	170 - 190	1-2	30 - 40	150 - 170	1-2-3	25 - 35
Grilled meatballs						
Watery food	175-200	2	40 - 50	175 - 200	2	40 - 50
Chicken	200	1-2	45 - 60	200	1-2	45 - 60
Chop						
Beefstake						
Two-tray cake						
Two-tray pastry						

4.5. АКСЕССУАРЫ, ИСПОЛЬЗУЕМЫЕ В ДУХОВКЕ

Рекомендуется использовать контейнеры, указанные в таблице, в зависимости от продуктов, приготавливаемых в духовке, также можно использовать стеклянные контейнеры, формы-резак, специальные лотки для духовки, подходящие для использования в Вашей духовке, которые доступны на рынке. Уделяйте внимание информации, которая предоставляется компанией-производителем по данному вопросу. При использовании контейнеров небольшого размера необходимо помещать их на внутреннюю проволочную решетку, чтобы они находились точно по центру. Приведенная ниже информация применима к эмалированным контейнерам.

Если продукты, которые необходимо приготовить, не полностью покрывают лоток духовки, если продукты только достали из морозильной камеры или лоток используется для сбора капающей жидкости продуктов на гриле, может возникнуть деформация лотка вследствие высоких температур, которые образуются во время приготовления/жарки пищи. Это нормальное физическое состояние, которое изменяется при передаче тепла. Не оставляйте стеклянный лоток или контейнер в холодной среде сразу после приготовления пищи. Не кладите их на холодные и мокрые поверхности. Убедитесь, что Вы положили их на сухую материю для медленного остывания. Иначе стеклянный лоток или контейнер могут быть повреждены. Если Вы собираетесь жарить продукты на гриле в Вашей духовке, мы рекомендуем Вам использовать гриль на лотке, поставляемый с Вашей духовкой (если он входит в комплект поставки Вашей духовки). Таким образом, брызги и капли масла не сделают грязной внутреннюю поверхность духовки. Если Вы собираетесь использовать большую решетку-гриль, вставьте лоток в один из нижних опорных реек во избежание аккумуляирования жира. Также добавьте немного воды в лоток для того, чтобы было легче очищать его. При жарке на гриле используйте опорные рейки 3. или 4., а также смазывайте жиром решетку, чтобы прожариваемые на гриле продукты не прилипали к ней.



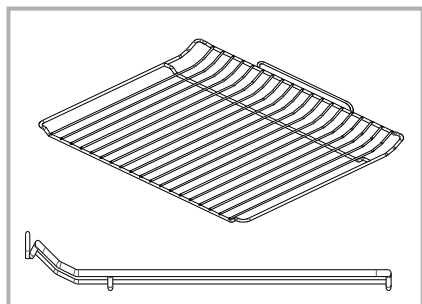
Решетка-гриль: Используется для жарки на гриле или для установки на нее различных контейнеров, но не лотков для приготовления пищи.

Неглубокий лоток: Используется для выпекания выпечки, например, пирогов.

Глубокий лоток: Используется для запекания блюд из тушеного мяса или рыбы.

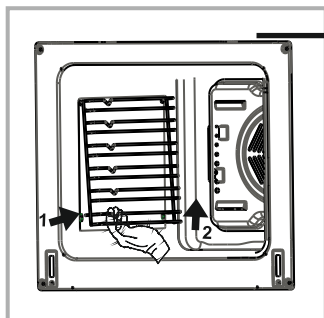
Рисунок 6

Проволока против наклона сковороды



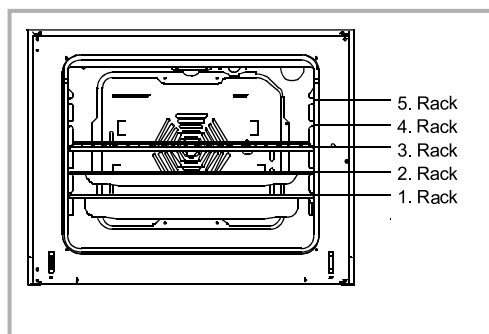
- Для правильного размещения решетки в углублении необходимо установить ее на любую рейку и протолкнуть решетку до конца.
- Проволока против наклона сковороды должна быть установлена внутри углубления.

Снятие проволочной полки



Потянуть проволочную полку, как показано на рисунке. После открепления решетки из зажимов следует поднять ее вверх.

Установка полок



ЧАСТЬ 5: ОЧИСТКА И ТЕХНИЧЕСКОЕ ОБСЛУЖИВАНИЕ ПЛИТЫ

5.1. ОЧИСТКА

Перед проведением очистки Вашей духовки убедитесь, что ручки управления находятся в положении "off" (выкл.) и духовка остыла. Отключите духовку от электрической сети.

Не используйте чистящие средства, содержащие твердые частицы, которые могут поцарапать эмалированные детали Вашей духовки. Используйте чистящие средства в виде крема или жидкие чистящие средства, которые не содержат твердых частиц. Не используйте едких чистящих средств в виде кремов, абразивных чистящих порошков, грубых проволочных мочалок или твердых инструментов, так как они могут повредить поверхность. В случае возгорания пролитого на Вашу духовку чрезмерного количества жидкости, эмалированные детали могут быть повреждены. Немедленно вытрите пролитую жидкость. Не используйте пароочистителей для чистки духовки.

Очистка внутренней поверхности духовки

Убедитесь, что Вы отключили духовку от электрической сети перед проведением ее очистки. Результат очистки будет лучше, если Вы будете очищать внутреннюю поверхность духовки, когда она немного теплая. После каждого использования протирайте духовку мягким куском ткани, смоченным мыльной водой. Затем протрите еще раз, на этот раз влажной тканью, после чего вытрите поверхность насухо. Завершите очистку при помощи сухих и порошковых чистящих средств. Для аппаратов с корпусом, покрытым каталитической эмалью, задняя и боковые стенки внутренней части корпуса не требуют очистки. Однако, в зависимости от условий эксплуатации, через определенный промежуток времени рекомендуется проводить их замену.

Очистка конфорки встраиваемой духовки

Для встраиваемых комбинированных аппаратов, очистка конфорок должна производиться при помощи смоченного куска ткани. Очистка частей из нержавеющей стали должна проводиться только водой. Такие детали должны быть вытерты насухо лоскутом мягкой ткани или замши. Очистка зазоров или углов должна производиться при помощи жидких чистящих средств или умеренно теплого уксуса. При проведении очистки крышек моделей плит с верхней стеклянной крышкой, очищайте ее теплой водой и грубой тканью. Пытайтесь проводить очистку без натирания / скобления. При необходимости Вы можете использовать жидкие чистящие средства. Необходимо также обратить внимание на то, что стеклянная крышка не должна быть закрытой, пока панель с конфорками полностью не остынет.

- Очистка стеклокерамических частей духовки
- Перед началом проведения очистки отключите плиту от электрической сети.
- Перед началом проведения очистки подождите, пока стеклокерамические части полностью не остынут.

Убедитесь, что используемые чистящие средства не содержат твердых частиц, которые могут повредить стекло. Используйте чистящие средства в виде кремов или жидкостей.

- Стеклокерамическую поверхность необходимо вымыть холодной водой и вытереть насухо куском мягкой ткани, пока все остатки чистящих средств не будут удалены с поверхности.

Для очистки разлитых жидкостей и остатков продуктов Вы можете использовать чистящий шпатель, поставляемый вместе с аппаратом.

- Десерт необходимо очищать немедленно после попадания на поверхность, не дожидаясь, пока стеклокерамические детали остынут.

- Очистка при помощи стальной проволочной сетки может повредить поверхность из стеклокерамики. Образовавшийся осадок на поверхности необходимо очищать при помощи смоченной ткани.
- Изменения цвета, которые могут возникнуть на поверхности стеклокерамических деталей, не влияют на функциональные качества, структуру или устойчивость стеклокерамики. Причиной изменения цвета является не изменения, произошедшие с материалом, а, возможно, на поверхности не очищены сгоревшие остатки пищи, или используемые кастрюли износили стеклянную поверхность, а также как следствие использования неподходящих чистящих средств.
- Перед применением химических чистящих средств, необходимо сначала воспользоваться чистящим шпателем. При помощи данного шпателя Вы можете очистить наименьшее загрязнение на стеклокерамической поверхности. Трудноудаляемые загрязнения, такие как расплавленная пластмасса, густые жиры, сладкие жидкости, могут легко быть удалены при помощи шпателя. Так как шпатель включает в себя лезвие, он является опасным для детей и должен храниться вне пределов их досягаемости.
- Во время очистки со шпателем уделяйте внимание тому, чтобы не соскоблить силиконовое склеивающее вещество с боковых сторон стеклокерамических частей.

5.2. ТЕХНИЧЕСКОЕ ОБСЛУЖИВАНИЕ

Замена лампочки подсветки

Замена лампы подсветки духовки должна производиться техническим специалистом авторизованного сервисного центра. Номинальные характеристики лампы: 230 В, 25 Вт, тип E14. Перед заменой лампы, духовку необходимо отключить от электрической сети и охладить.

Конструкция лампы предусматривает ее использование в бытовых электроплитах и не подходит для бытового комнатного освещения.

ЧАСТЬ 6: СЕРВИСНОЕ ОБСЛУЖИВАНИЕ И ТРАНСПОРТИРОВКА

6.1. ТРЕБОВАНИЯ, КОТОРЫЕ НЕОБХОДИМО ВЫПОЛНИТЬ ПЕРЕД ОБРАЩЕНИЕМ В ЦЕНТР СЕРВИСНОГО ОБСЛУЖИВАНИЯ

Если печь не работает:

Печь может быть отключена от сети или, возможно, произошло аварийное отключение электроэнергии. На моделях, оборудованных таймером, может быть не установлено время таймера.

Если духовка не работает:

Нагрев может быть не установлен ручкой управления плиты.

Если не горит внутренняя лампа подсветки печи:

Необходимо проверить подаваемое электричество. Необходимо проверить исправность лампы. Если лампа подсветки повреждена, Вы можете ее заменить, следуя указанным инструкциям.

Приготовление пищи (если верхняя часть не нагревает равномерно с нижней):

Проверьте расположение лотков, время приготовления пищи и значения температуры нагрева в соответствии с информацией, приведенной в руководстве по эксплуатации.

Если проблема все еще остается, обратитесь в авторизованный центр сервисной поддержки.

6.2. ИНФОРМАЦИЯ ОТНОСИТЕЛЬНО ТРАНСПОРТИРОВКИ

Если необходима транспортировка печи:

Если печь необходимо транспортировать, сохраняйте оригинальную упаковку товара и осуществляйте транспортировку в оригинальной упаковке. Следуйте указаниям значков, указанным на коробке, относительно транспортировки плиты. Закрепите газовые конфорки, крышки, насадки, а также решетки скотчем к верхней панели плиты.

Вставьте бумагу между верхней крышкой и верхней панелью плиты, а затем закройте верхнюю крышку и прикрепите ее скотчем к боковым сторонам плиты.

Для предотвращения повреждения дверцы плиты лотками и решеткой-гриль во время транспортировки, прикрепите скотчем картон или бумагу к внутренней стороне стекла дверцы плиты, установив картон напротив лотков. Также прикрепите скотчем крышки плиты по бокам.

Если оригинальная упаковка отсутствует:

Примите необходимые меры против любых возможных ударов внешней поверхности плиты (стеклянные и окрашенные поверхности).



Символ на упаковке продукта указывает, что данный продукт нельзя рассматривать как бытовые отходы. Его необходимо доставить в соответствующий пункт сбора для последующей переработки электрического и электронного оборудования. При утилизации данного изделия надлежащим образом Вы можете предотвратить негативные последствия для окружающей среды и здоровья людей, которые могут иметь место при ненадлежащем удалении данного изделия. Для получения более подробной информации об утилизации данного продукта свяжитесь с местным представительством в Вашем городе, службой утилизации бытовых отходов или магазином, в котором был куплен данный продукт.